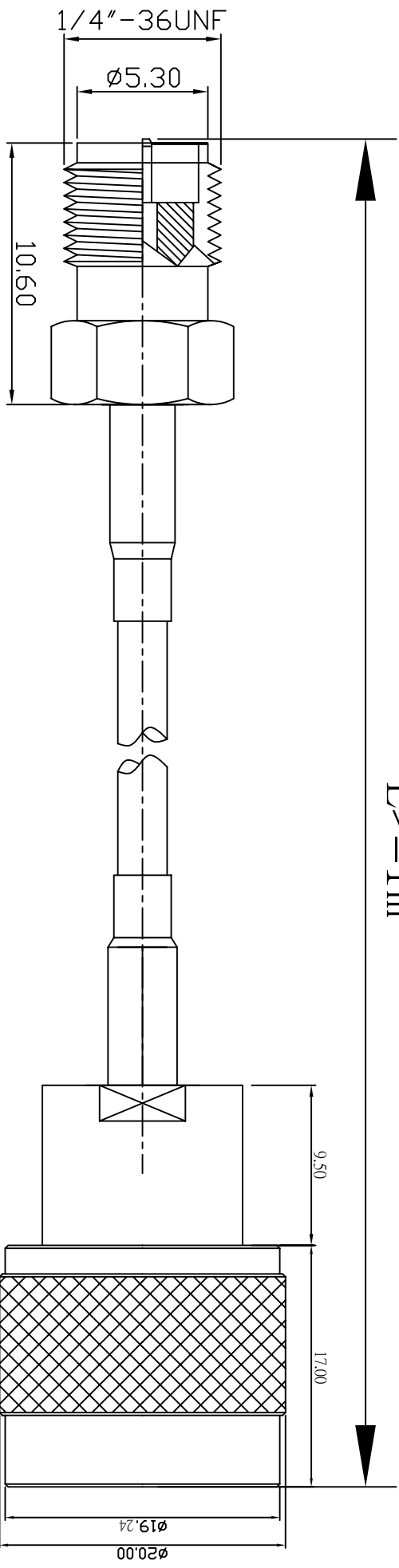



REV	DESCRIPTION	DRAWN	DATE



$L \geq 1 \text{ m}$

NO	Description	Qty	Material	Finish
3	N-1158-2-L-TGN	1	BRASS	GOLD
2	RG174/RG316/LLC100	1		
1	SMA-1011-2-RP-L-TGG	1	BRASS	GOLD

UNLESS OTHERWISE SPECIFIED		*MAJOR DIMENSION		APPROVED		 <b>華耀科技有限公司</b> <i>Hua Yao Technologies co.,Ltd</i>
1 REMOVE ALL BURRS 2 BREAK ALL CORNERS & EDGES CO.15 MAX. 3 CHAMFER 1:1 & LAST THREADS 45° 4 DIAMETERS ON COMMON CENTERS 5. ALL DIMENSIONS ARE AFTER PLATING.		UNLESS OTHERWISE NOTED TOLERANCES 0.5-6 = ±0.2 6-30 = ±0.4 30-120 = ±0.6 120-315 = ±1.0 ANGLES = ±1°		CHECKED DRAWN ARNO		
SCALE	4/1	UNIT	MM	DRAWN DATE	03/06/23	DRAWING NO. 11582/174/316/100/10112R-AL
				REV	A	FILE NO. D:\DWG\SMA1011-N1158\11582/174/316/100/10112R-AL